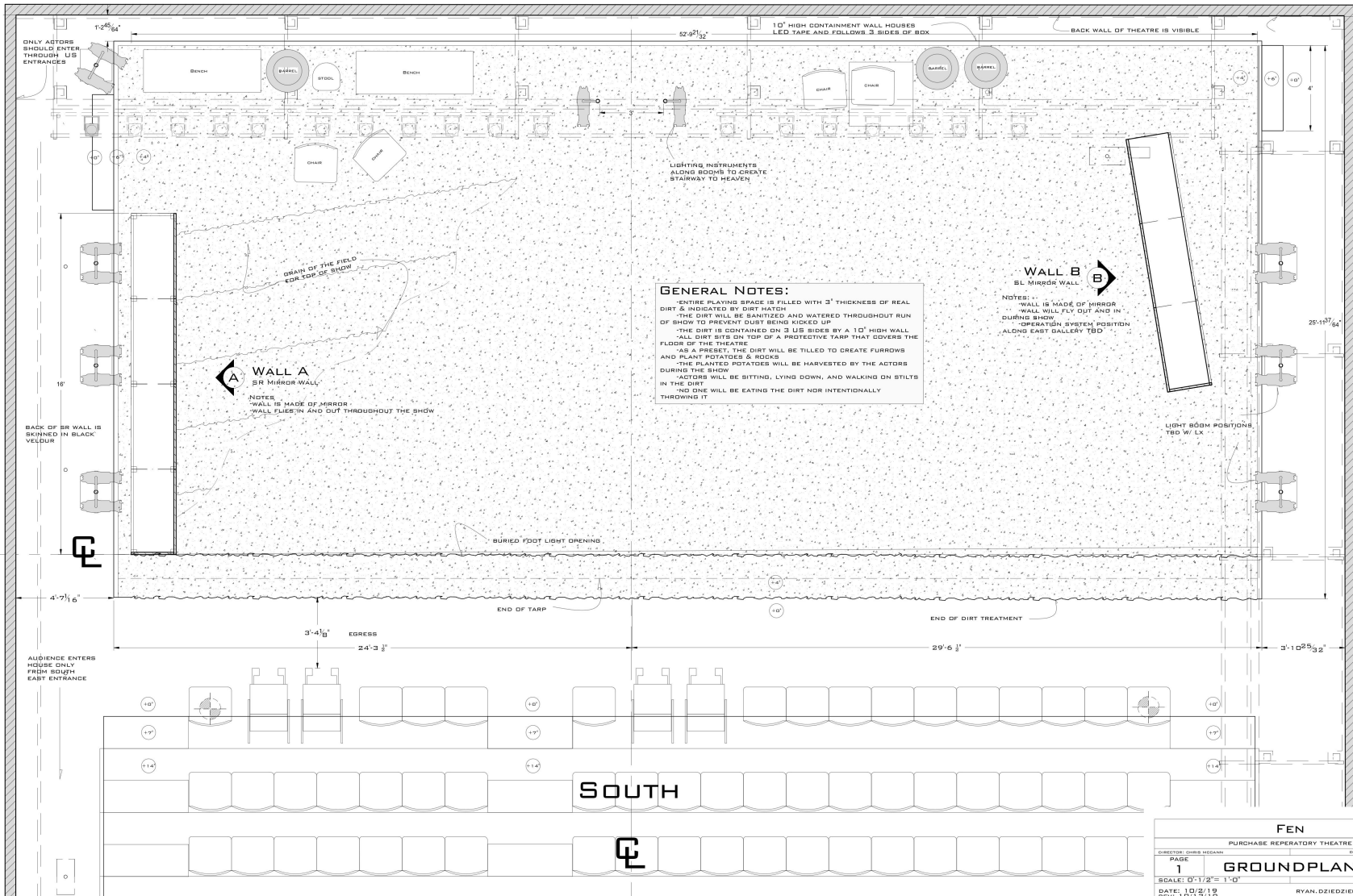


NORTH

WEST

EAST



GENERAL NOTES:

- ENTIRE PLAYING SPACE IS FILLED WITH 3" THICKNESS OF REAL DIRT & INDICATED BY DIRT HATCH
- THE DIRT WILL BE SANITIZED AND WATERED THROUGHOUT RUN OF SHOW TO PREVENT DUST BEING KICKED UP
- THE DIRT IS CONTAINED ON 3 US SIDES BY A 10' HIGH WALL
- ALL DIRT SITS ON TOP OF A PROTECTIVE TARP THAT COVERS THE FLOOR OF THE THEATRE
- AS A PRESET, THE DIRT WILL BE TILLED TO CREATE FURROWS AND PLANT POTATOES & ROCKS
- THE PLANTED POTATOES WILL BE HARVESTED BY THE ACTORS DURING THE SHOW
- ACTORS WILL BE SITTING, LYING DOWN, AND WALKING ON STILTS IN THE DIRT
- NO ONE WILL BE EATING THE DIRT NOR INTENTIONALLY THROWING IT

WALL B
BL MIRROR WALL

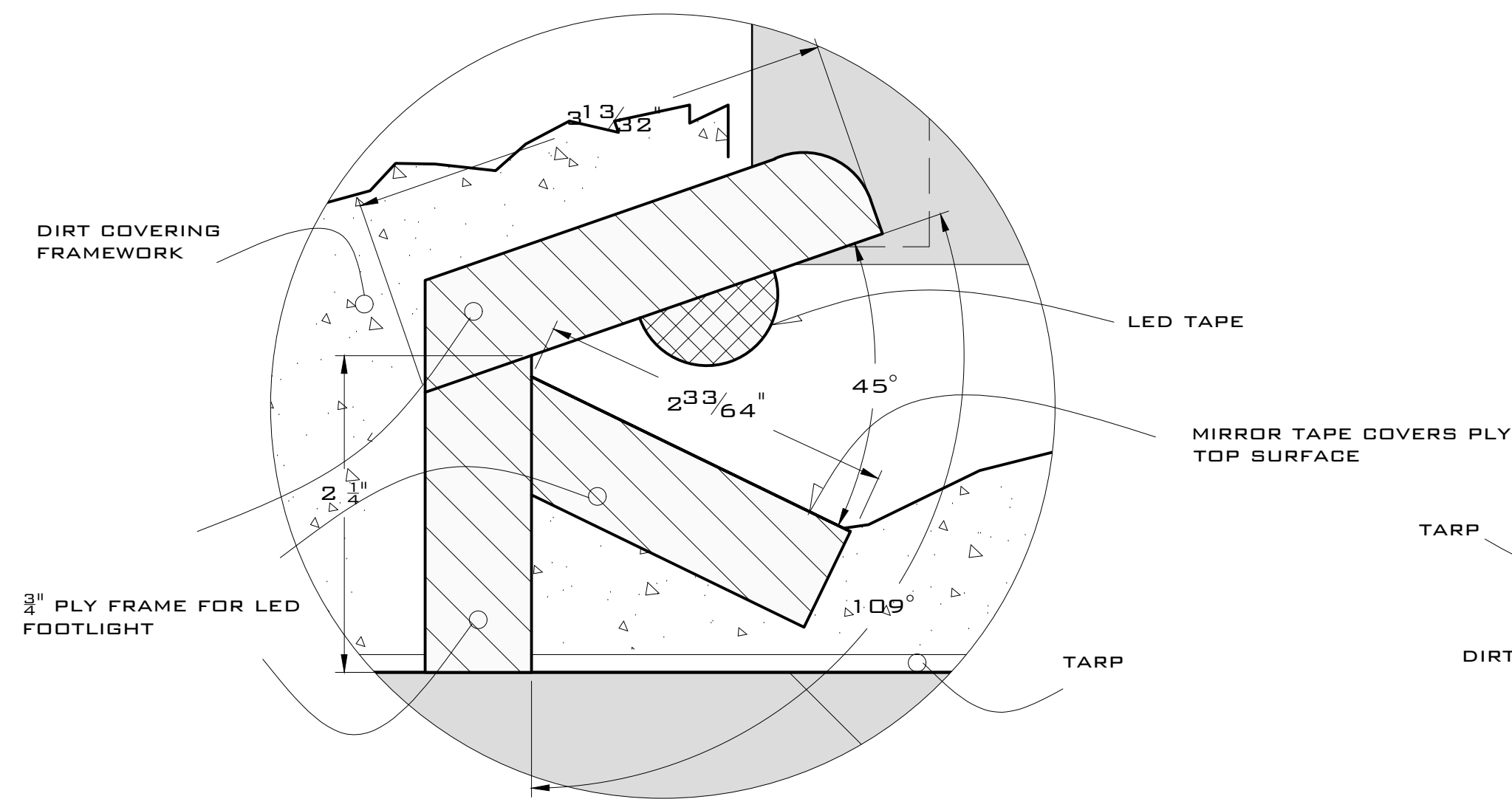
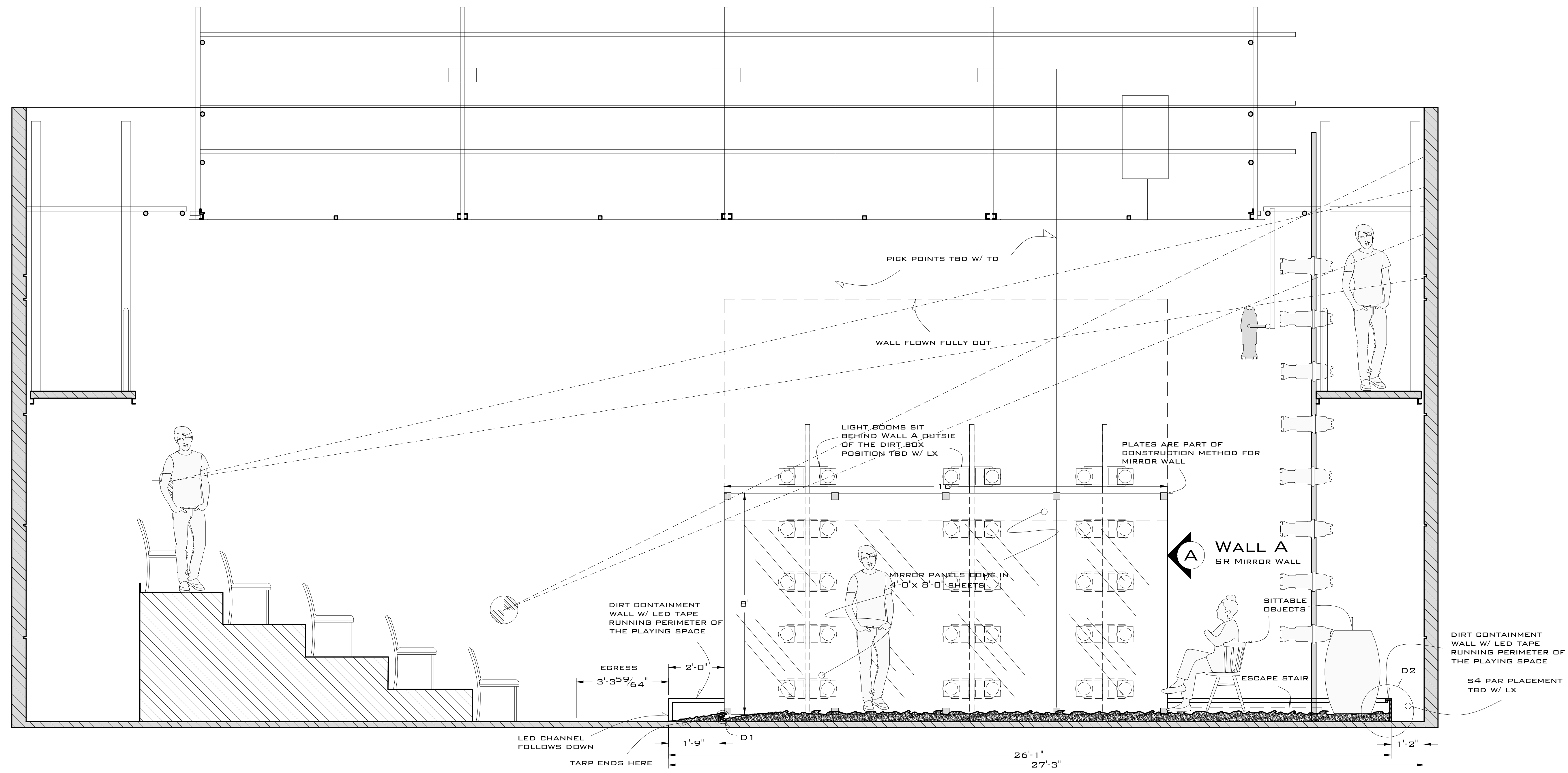
NOTES:
-WALL IS MADE OF MIRROR
-WALL WILL FLY, OUT AND IN DURING SHOW
-OPERATION, SWATCH POSITION ALONG EAST GALLERY TBD

WALL A
BR MIRROR WALL

NOTES:
-WALL IS MADE OF MIRROR
-WALL FLIES IN AND OUT THROUGHOUT THE SHOW

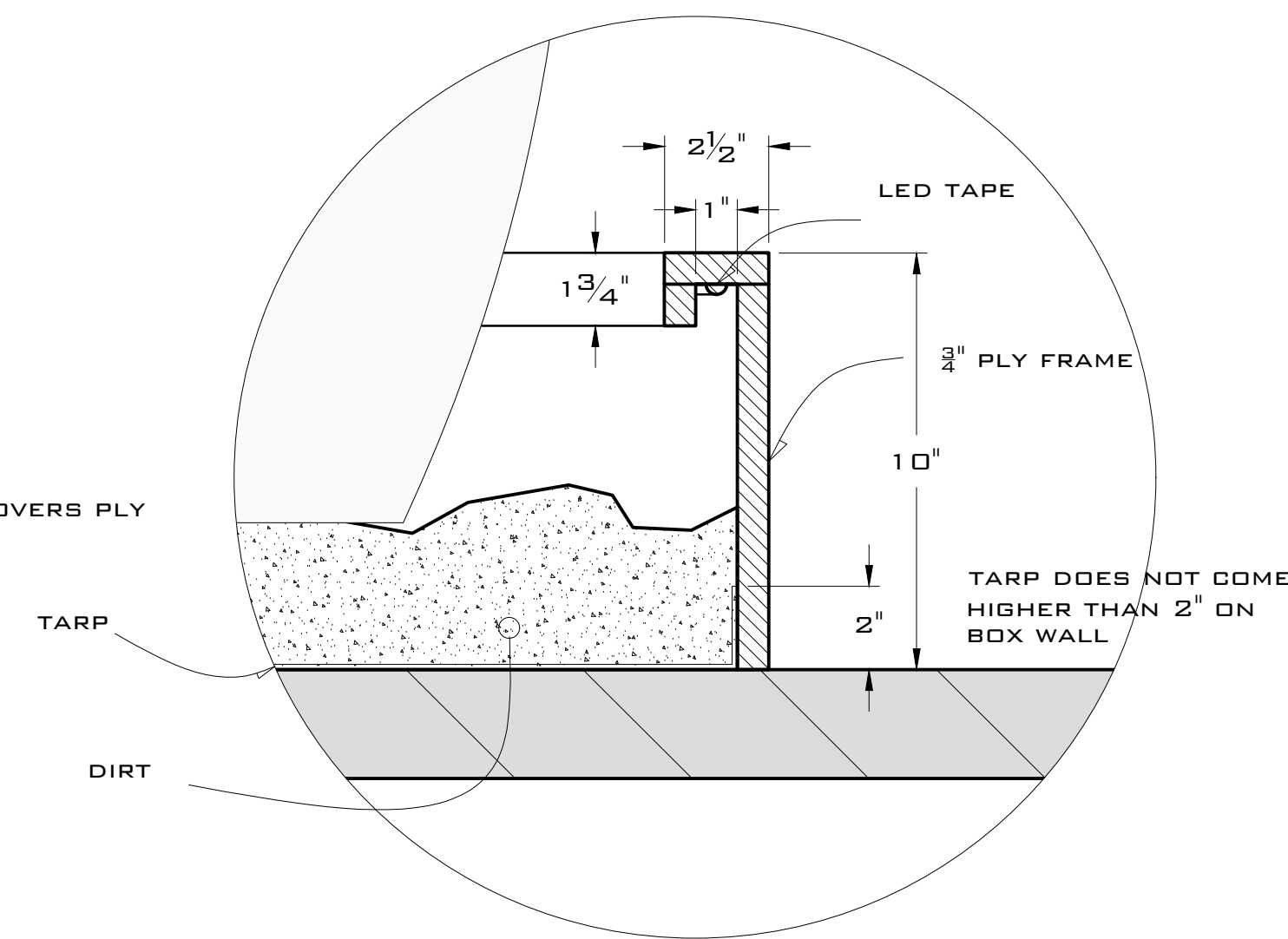
FEN		
PURCHASE REPERATORY THEATRE		
DIRECTOR CHRIS HEGANN	DESIGNER RYAN DZIEDZIECH	
PAGE 1	GROUNDPLAN	OF 4
SCALE: 0'12" = 1'0"		TD: COLIN NICKEL
DATE: 10/2/19		RYAN.DZIEDZIECH@PURCHASE.EDU
REV: 10/13/19		917-B17-3890
FINAL: NM/DD/YY		

WEST WALL



DETAIL 1

SCALE: 0'-1" = 0'-1"



DETAIL 2

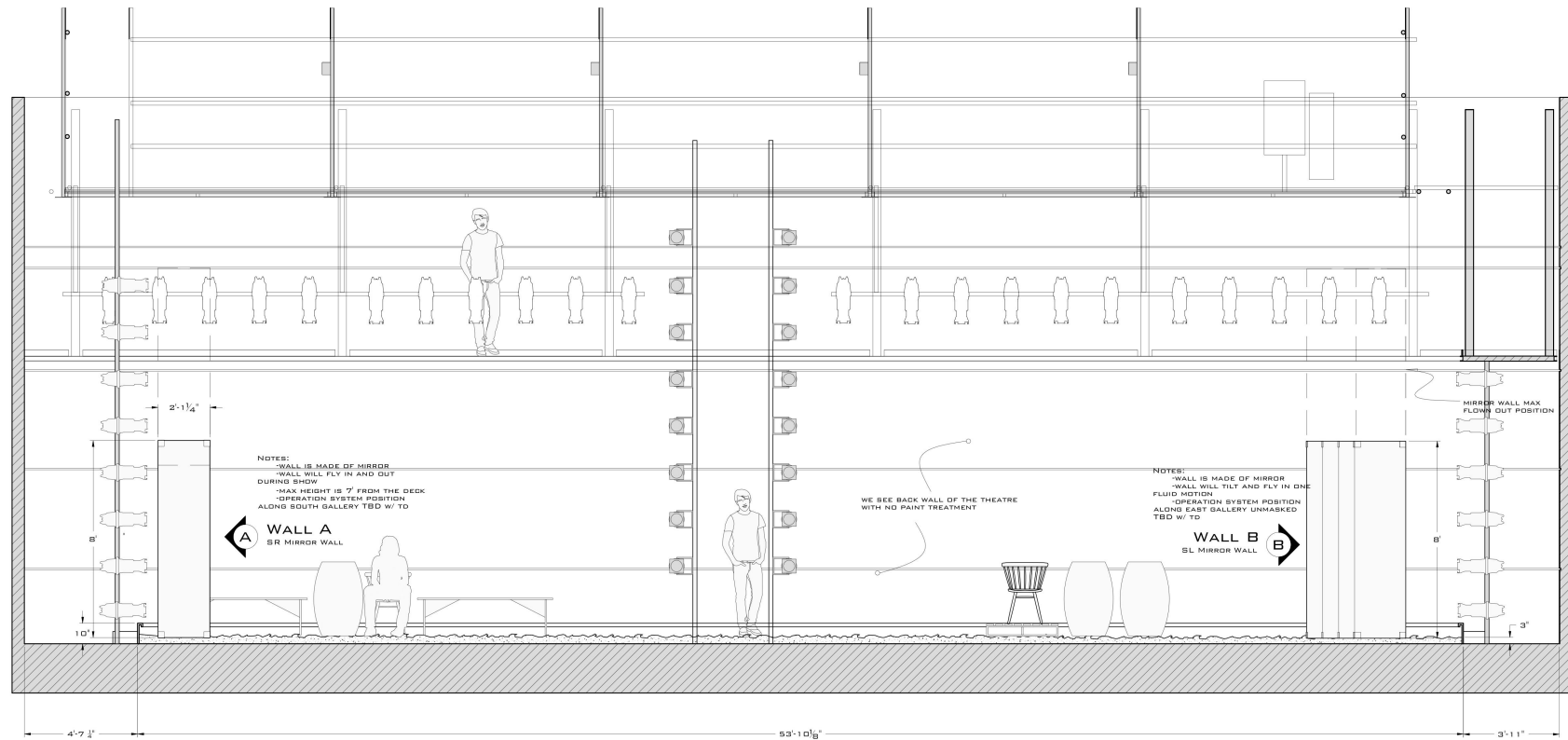
SCALE: 0'-3" = 1'-0"

GENERAL NOTES:

- ENTIRE PLAYING SPACE IS FILLED WITH 3" THICKNESS OF REAL DIRT & INDICATED BY DIRT HATCH
- THE DIRT WILL BE SANITIZED AND WATERED THROUGHOUT RUN OF SHOW TO PREVENT DUST BEING KICKED UP
- ALL DIRT SITS ON TOP OF A PROTECTIVE TARP THAT COVERS THE GROUND OF THE THEATRE
- AS A PRESET, THE DIRT WILL BE TILLED TO CREATE FURROWS AND PLANT POTATOES & ROCKS
- THE PLANTED POTATOES AND ROCKS WILL BE HARVESTED BY THE ACTORS DURING THE SHOW
- ACTORS WILL BE SITTING, LYING DOWN, AND WALKING ON STILTS IN THE DIRT
- NO ONE WILL BE EATING THE DIRT NOR INTENTIONALLY THROWING IT

FEN			
PURCHASE REPERATORY THEATRE			
DIRECTOR: CHRIS MCCANN			DESIGNER: RYAN OZIEDZIECH
PAGE 2	SECTION		OF 4
SCALE: 0'-1 1/2" = 1'-0"		TD: COLIN NICKEL	
DATE: 10/2/19		RYAN.OZIEDZIECH@PURCHASE.EDU	
REV: 10/13/19		917-817-3890	
FINAL: MM/DD/YY			

NORTH WALL



GENERAL NOTES:

- ENTIRE PLAYING SPACE IS FILLED WITH 3" THICKNESS OF REAL DIRT & INDICATED BY DIRT HATCH
- THE DIRT WILL BE SANITIZED AND WATERED THROUGHOUT RUN OF SHOW TO PREVENT DIRT BEING KICKED UP
- THE DIRT IS CONTAINED ON 3 US SIDES BY A 10" HIGH WALL
- ALL DIRT SITS ON TOP OF A PROTECTIVE TARP THAT COVERS THE FLOOR OF THE THEATRE
- AS A PRESET, THE DIRT WILL BE TILLED TO CREATE FURROWS AND PLANT POTATOES & ROSES
- THE PLANTED POTATOES WILL BE HARVESTED BY THE ACTORS DURING THE SHOW
- ACTORS WILL BE SITTING, LYING DOWN, AND WALKING ON STILTS IN THE DIRT
- NO ONE WILL BE EATING THE DIRT NOR INTENTIONALLY THROWING IT

FEN	
PURCHASE REPERTORY THEATRE	
DIRECTOR: CHRIS HEGANN	DESIGNER: RYAN DZIEDZIECH
PAGE	OF
3	4
FRONT ELEVATION	
SCALE: 0'-1 7/8" = 1'-0"	TD: COLIN NICKEL
DATE: 10/2/19	RYAN.DZIEDZIECH@PURCHASE.EDU
REV: 10/13/19	
FINAL: NM/DD/YY	917-817-3890



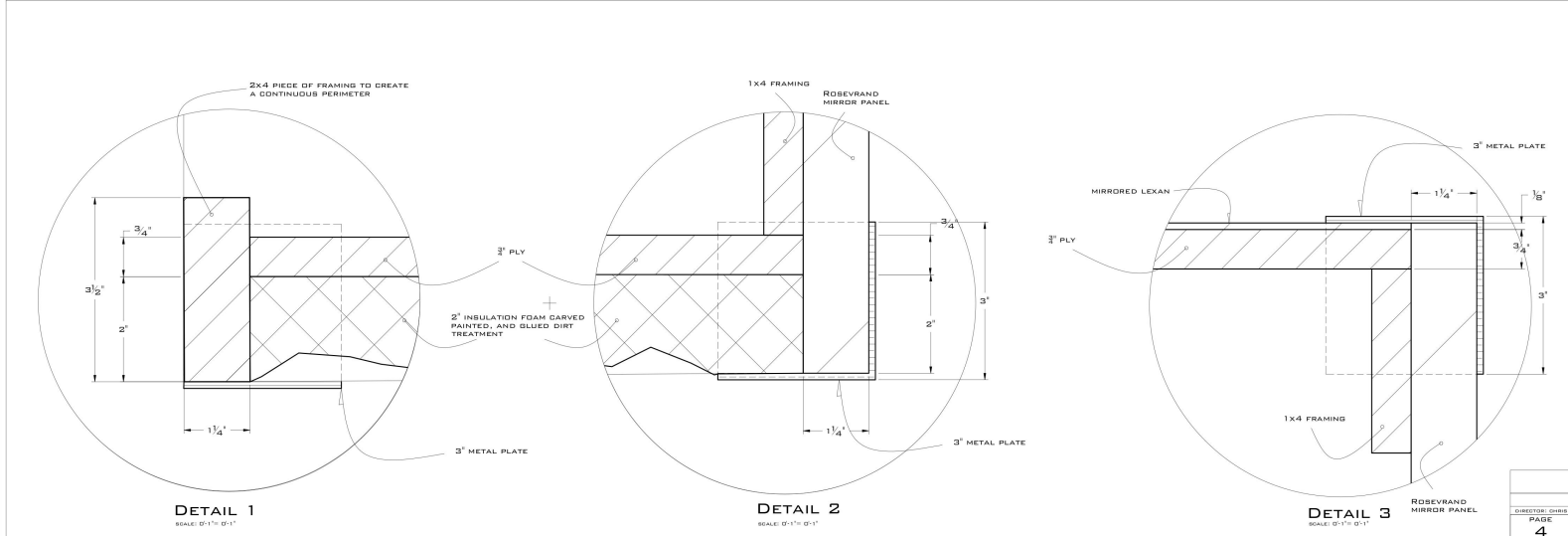
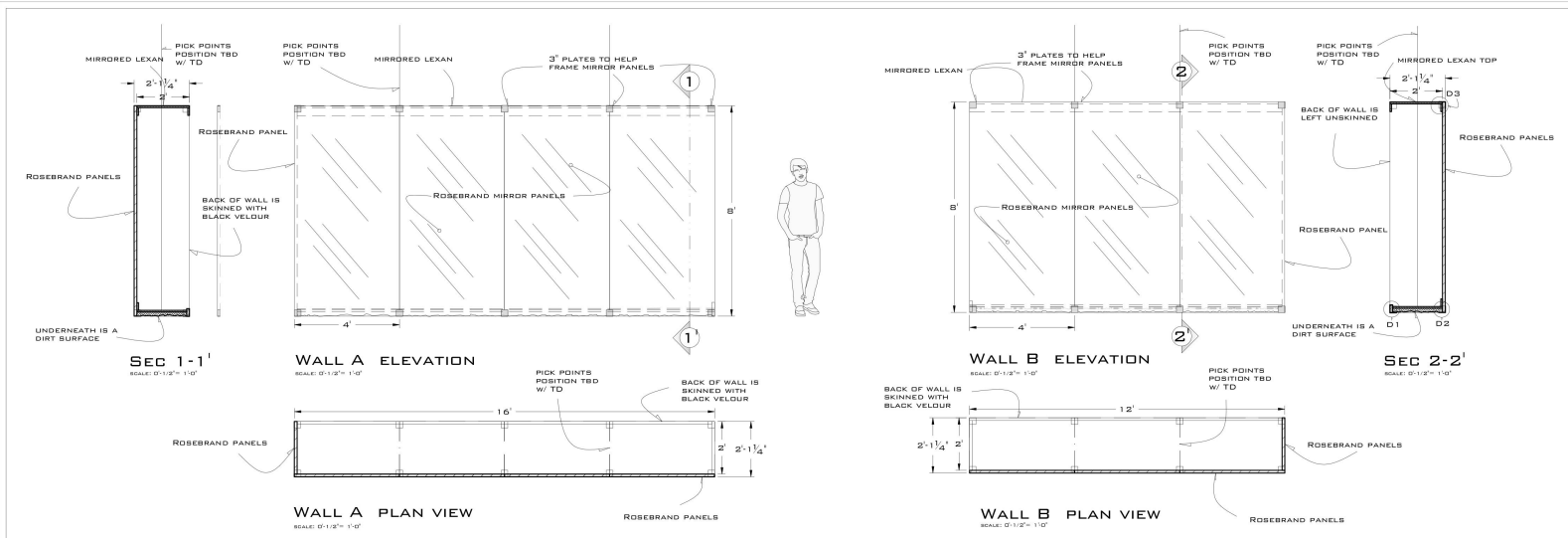
RESEARCH IMAGE OF MIRROR WALLS



RESEARCH IMAGE FOR BOTTOM OF THE MIRROR WALLS

GENERAL NOTES:

- *ALL METAL PLATES OVERHANG SURFACE THEY'VE ON BY 2"
- *BOTTOM SURFACE OF BOTH MIRROR WALLS WILL LOOK LIKE A DIRT BOX
- *PERIMETER OF BOTTOM FACE WILL BE FACED WITH MIRROR TAPE
- *TOP SURFACES OF BOTH WALLS WILL BE FACED WITH MIRROR LEXAN
- *BEAMS FROM THE FRONT FACE SHOULD FOLLOW UP TO THE TOP SURFACE
- *WALLS WILL NOT HAVE ACTORS LEAN, KICK, PUNCH, OR PERFORM ANY OTHER FORCEFUL ACTIONS UPON THEM
- *ALL RIGGING HARDWARE SHOULD LIVE INSIDE THE MIRROR WALL
- *PICKPOINTS NEED TO BE DISCUSSED W/ TD



FEN	
PURCHASE REPERATORY THEATRE	
PAGE	OF
4	4
WALL ELEVATION	
SCALE: 0'-1 1/2" = 1'-0"	TD: COLIN NICKEL
DATE: 10/2/19	RYAN.DZIEDZIECH@PURCHASE.EDU
REV: 10/13/19	917-B17-3890
FINAL: NM/00/YY	